



LIGHT SWITCH

■ User Manual

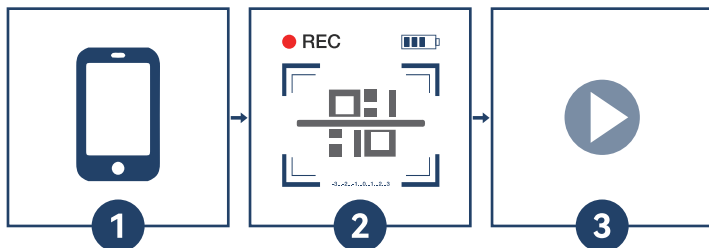
GET MORE SUPPORT

Should you experience any issues while operating any of our products, you can directly reach out to our Customer Support via Amazon Orders Or you can send your inquiry to our Official Customer Support at:

 support@amicolight.com

 +1(888) 676-1042

Monday - Friday from 9:00AM - 5:00PM (PT)



Need a Video Instruction Guide?
Please scan the QR code.

If the QR code is invalid, please contact us for the video.

SAFETY INFORMATION

NOTICE: For installation by a qualified person in accordance with national and local electrical codes.

WARNING: Risk of Electric Shock or Death. Disconnect power before installing.

CAUTION: USE COPPER CONDUCTORS ONLY; 15A, 14AWG to 12AWG.

- Remove insulation from conductors 5/8 inch.
- Side Wire: Wrap conductor securely around terminal screw. Tighten terminal screws securely, 9-12 pound*inch (1.0-1.4 N*m) or torque.
- Push Wire: Use solid #14 AWG for 15A branch circuit ONLY.

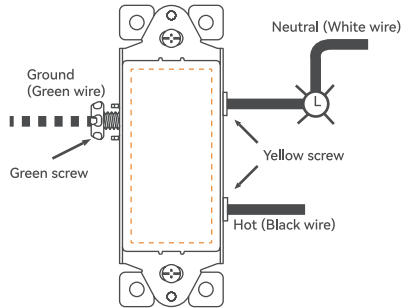
PLEASE NOTE:

Wiring Method:

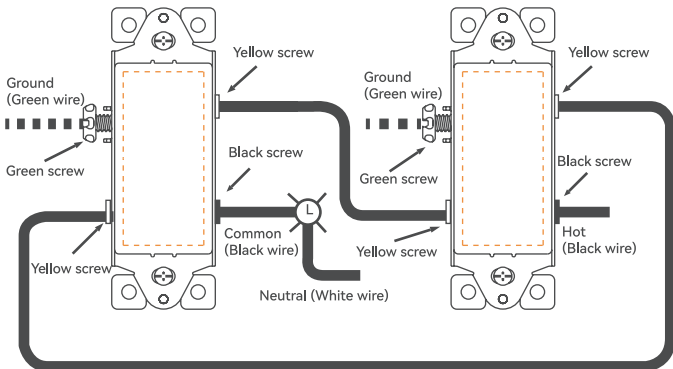
The wiring instructions described in this document are universal across the product series.

Product Appearance:

The actual appearance shall be subject to the product you receive.



Single Pole Switch Diagram



3-Way Switch Diagram

01 30-Day Return Policy

If you're not completely satisfied with your purchase, simply return the merchandise via Amazon Orders. Unused merchandise can be refunded or exchanged within 30 days from the original purchase date.

02 3-Year Warranty

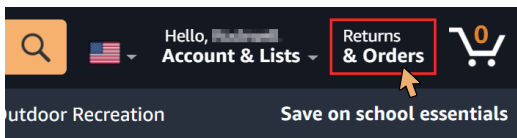
We guarantee your product is free from defects in product material and workmanship for three (3) years starting from the date of purchase during normal use of household conditions. If your appliance fails to operate properly within our warranty period, we will arrange a new replacement free of charge and cover all the shipping costs.

03 Quick Response within 12 Hours

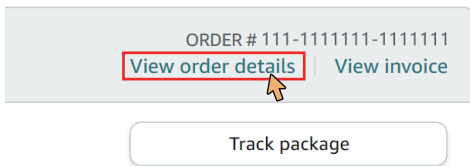
If you are still unable to resolve the issue you are experiencing, please contact us immediately at our support email. It doesn't matter if the product has been installed, our customer support team will respond within 12 hours and assist you quickly and efficiently.

The most efficient way to confirm your problem to us is to attach a video illustrating your product issue.

- ① Log into your Amazon.com account, click **"Returns&Orders"** on the top-right corner.

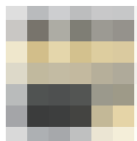


- ② Find your order in the list and click **"View order details"**.



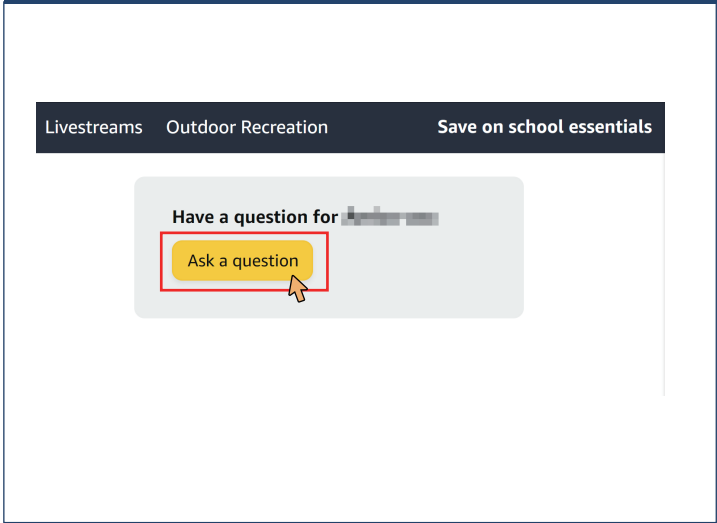
- ③ Click the **"Store Name"** following the Sold by, below the product title.

Delivered yesterday



Sold by: [Store Name]
 Serial Numbers:
 AZ: [blurred]
 Return eligible through Sep 8, 2021
 \$49.99

- ④ Click the yellow button "Ask a question", on the top-right corner, to contact the seller.



Should you experience any issues while operating any of our products, you can directly reach out to our Customer Support via Amazon Orders. Or you can send your inquiry to our Official Customer Support at:

Call us:

+1(888) 676-1042

Monday - Friday from 9:00AM - 5:00PM (PT)

Contact via Email: support@amicolight.com



GET MORE SUPPORT

Should you experience any issues while operating any of our products, you can directly reach out to our Customer Support via Amazon Orders.

Or you can send your inquiry to our Official Customer Support at:

 support@amicolight.com

 +1(888) 676-1042

Monday - Friday from 9:00AM - 5:00PM (PT)

MADE IN CHINA